

RMx Room Controller



INTRODUCTION

The **RMx** range represents a quantum leap in stand alone or networked building environmental control systems with an economical, small but very powerful flexible input/output control format complete Peer to Peer (P2P) coms++, Time

Micron units, unitary systems such as **HVAC, AHU, FCU, Heat Pumps, Chillers, Pumps, Fans, Dampers and Lighting** systems can integrated and controlled with the **SuperVZR** Internet web server to increase efficiency and effectiveness. The **Micron RMx** is ideal but not limited to use for Schools, Hotels, Hospitals, Offices, University Campuses, Residential to give big reductions in Energy costs.

STANDARD FEATURES

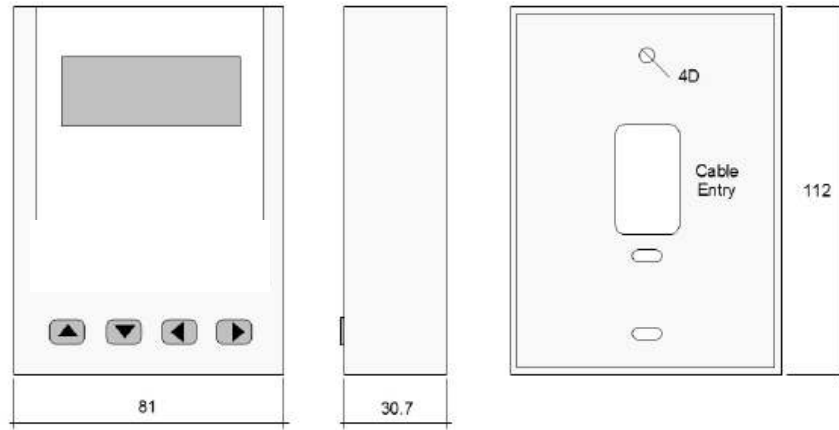
- **Universal Inputs** (UI = 7) link configurable to be Digital, Analog (0-5/10v) or Thermistor for maximum flexibility and additional optional **CO2*** or **Humidity*** sensor modules.
- Integral programmable keypad and LCD display for for maximum user control.
- High input/output (1Tint/7UI/2AO/5DO) networked small form to reduce wiring costs by localized distributed nodes reducing cable runs back to larger controllers:- **“Integrated Operational Node =**
- Up to **254** units per local twisted pair **Modbus** RS485 network gives unlimited modular expandability and integration with the **BACnet** and **Modbus** compatible **SuperVZR** scalable to +**1500** Microns per SVZR Unit.

++ADDITIONAL FEATURES

- RTC Week/Day **Time Schedules** for stand alone operation with no need for Supervisor
- **Increased** Digital Blocks from 32 to 96 for heavy duty programming requirements.
- Multiple **Ports** per Project Page and **Text Block Strings** for Events/**Alarms** Display.
- **Peer to Peer** (P2P) Coms to act as a Master Supervisor to Micron Units on the DDC network.

- Real Time History **Trend Graphing** Page for tuning, monitoring and control.

MAIN DIMENSIONS



SPECIFICATION

Low Micron RMx: - 5 relays x 2amps @24V, 7 analog inputs, 2 analog outputs (10V @100ma)

Operating temperature: -30~70°C (-22~158°F)

Supply voltage: 12~24VAC/DC ±20%, 50-60Hz

Power consumption: 100mA at 12VDC

Modbus: RS485, 19K2, Address: 254 (Default).

Relay contacts rating: 2A @ 24VDC, 0.5A @ 125VAC; UL/No.: E43149; CSA/ No.:LR26550

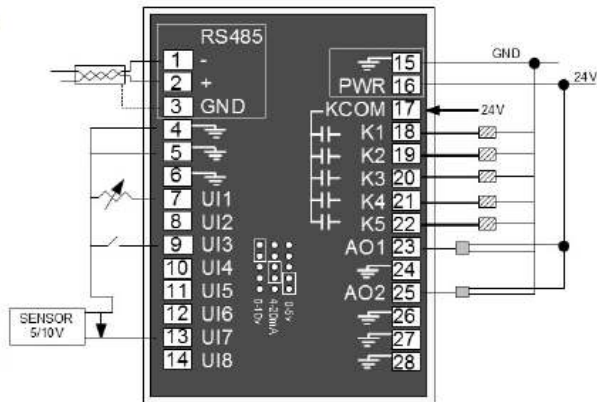
Operating Environment: 0 ~ 99% humidity non condensing; Ambient humidity: 10-90 %Rh

Plastic Housing: Flammability rating UL 94V0 file E194560; Enclosure rating: IP31

Temperature sensor: 10K thermistor ±0.5°C

Colour: White/Off-white; Weight : 200g

WIRING



Recommend: TSP (Twisted Shielded Pair) for all analogue Wiring