

## Introduction :

MR3... Temperature sensor measures the temperature by use of a Pt1000 sensing element, (active DC0-10V output)  
In connection with automation equipment, displays..., The sensor is used for acquiring the air temperature in heating, ventilation and air conditioning systems

| Model   | Sensing element | Conduit description           | Mounting type        |
|---------|-----------------|-------------------------------|----------------------|
| MR3.11Y | Pt1000          | stainless steel, 50mm, G1/2"  | water immersion type |
| MR3.12Y | Pt1000          | stainless steel, 100mm, G1/2" | water immersion type |
| MR3.12T | Pt1000          | PC rod, 180mm                 | air duct type        |
| MR3.12W | Pt1000          | NONE                          | wall surface type    |

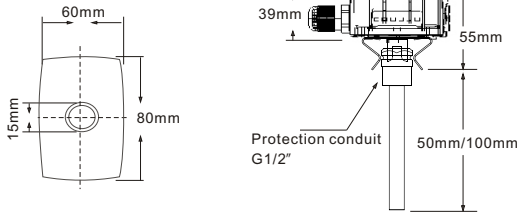
## Technical data

Operating voltage : AC24V ± 20%, 50/60Hz  
Power consumption : 0.5W  
Temperature range (optional) : -40°C...+130°C,  
-35°C...+35°C,  
0°C...+50°C,  
0°C...100°C

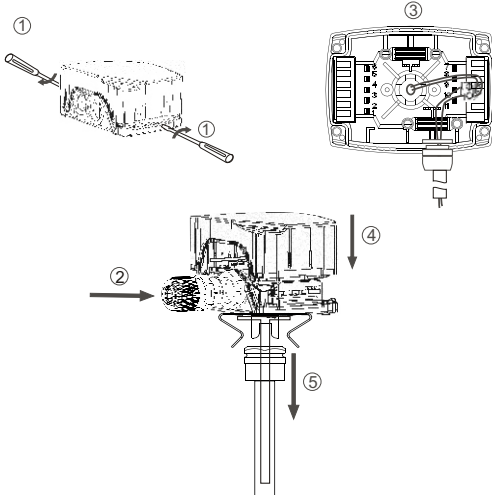
Temperature accuracy : 0°C...50°C, ±0.5K  
Singal output : DC0-10V  
Response time : <10s without protection conduit  
<20s with protection conduit  
Housing protective : IP54

## 1 Immersion type:

### Dimension



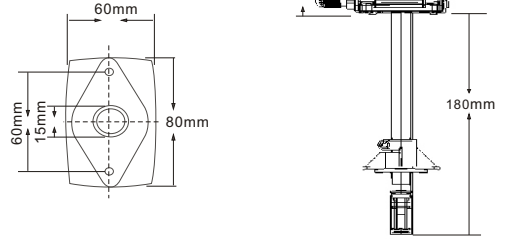
### Mounting



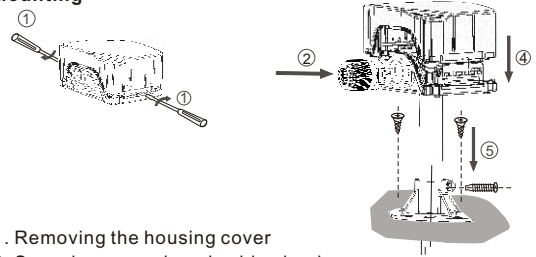
1. Removing the housing cover
2. Screwing on enclosed cable gland
3. Wiring terminals (see picture 3)
4. Pressing down and close the housing cover
5. Installing conduit on the water pipe, then insert the sensor tube inside the conduit

## 2 Duct type:

### Dimension

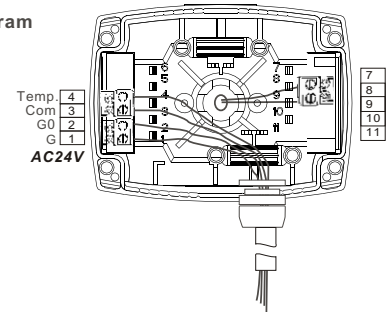


### Mounting



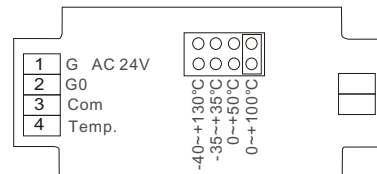
1. Removing the housing cover
2. Screwing on enclosed cable gland
3. Wiring terminals (see picture 3)
4. Pressing down and close the housing cover
5. Fixing the mounting flange on duct surface

### 3 Wiring diagram

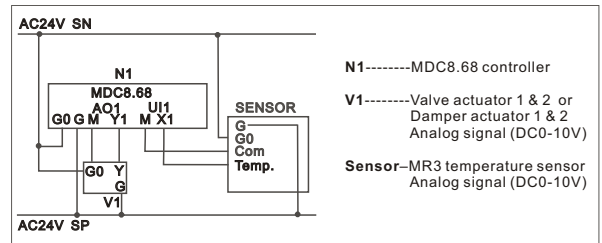


## Temperature Range Selection

Please select the relating temperature range according to your field requirement



## System Connection Diagram



### Warning:

Terminal "G" of sensor, actuator V1 and controller N1 must be wired in the same power line if they have a common power supply (there is no need for connecting terminal "M" on this condition)